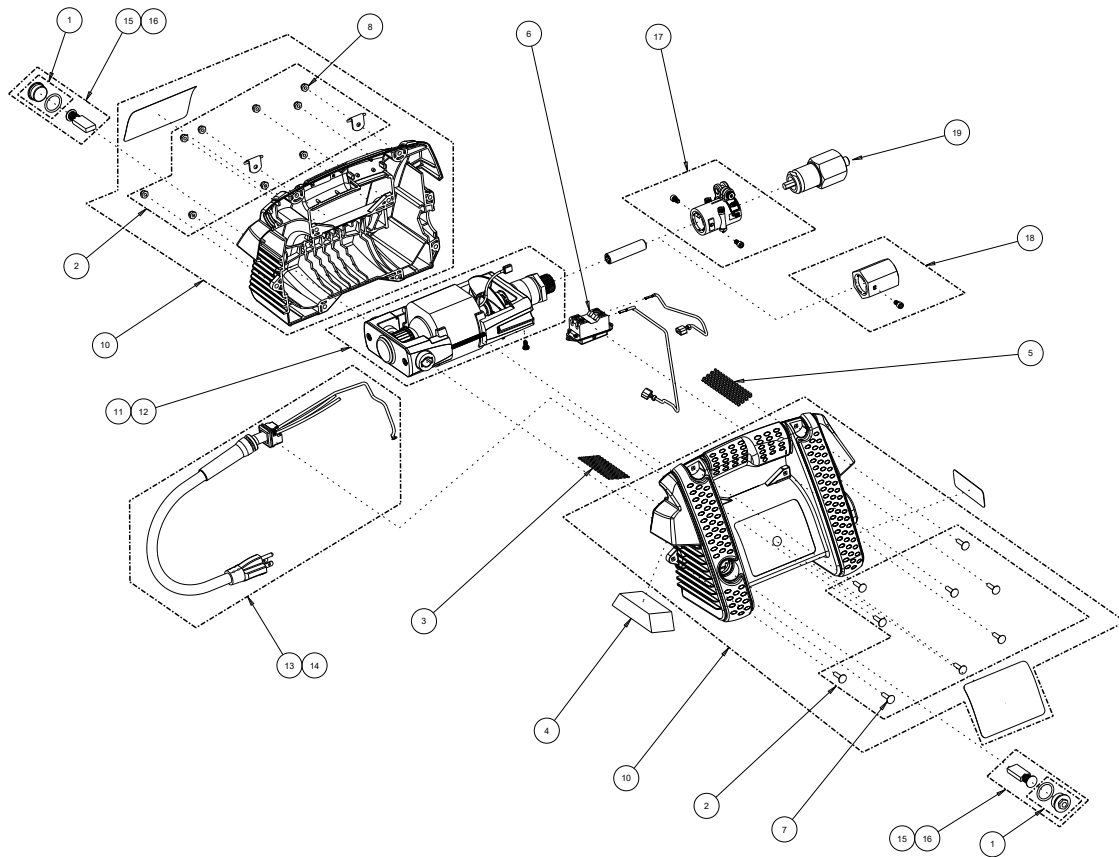


PARTS



Item	Kit Number	Description	Parts Included (Parts Quantity)
1	W423114	Brush cap with O-ring, 115V	Brush cap (2); O-ring, brush cap (2)
2	W423144	Bolt and nut with D-ring kit (housing)	Acorn nut, 10-32 unf, self locking (9); Carriage screw, 10-32 unf x 3/4 in. (9); D-ring (2)
3	W423130	Intake screen	(1)
4	W423132	Intake filter	(1)
5	W423131	Exhaust screen	(1)
6	W423110	Rocker switch; 20 A 125-250V AC	(1)
7	W423140	Carriage screw, 10-32 unf x 3/4 in.	(1)
8	W423141	Acorn nut, 10-32 unf, self locking	(1)
9	W819013	Carrying strap (not shown)	(1)
10	W423239	Housing replacement kit, gold	Acorn nut, 10-32 unf, self locking (9); Carriage screw, 10-32 unf x 3/4 in. (9); D-ring (2); label, 995 (1); Label, head chart (1); Left housing assembly, gold (1); Right housing assembly, gold (1)
11	W423600	Motor assembly, 115 Volt ¹	(1)
12	W423601	Motor assembly, 230 Volt ²	(1)
13	W423155	115 Volt 3-wire cord set kit ¹	115V cord set, 3-wires with plug (1); Cord bend relief (1); Cord strain relief bushing (1)
14	W423157	230 Volt 3-wire cord set kit ²	230V cord set, 3-wires with plug (1); Cord bend relief (1); Cord strain relief bushing (1)
15	W423235	115 Volt brush, cap and O-ring kit ¹	Brush cap (2); O-ring, brush cap (2); Brush and spring assembly, 115V (2)
16	W423236	230 Volt brush, cap and O-ring kit ²	Brush cap (2); O-ring, brush cap (2); Brush and spring assembly, 230V (2)
17	W423240	Q.D. Connector kit ³	Complete Q.D. Motor connector assembled with set screws
18	W423241	Threaded connector kit ⁴	Threaded hex motor connector with set screw
19	W423-500	Threaded to Quick-Disconnect Adapter	(1)

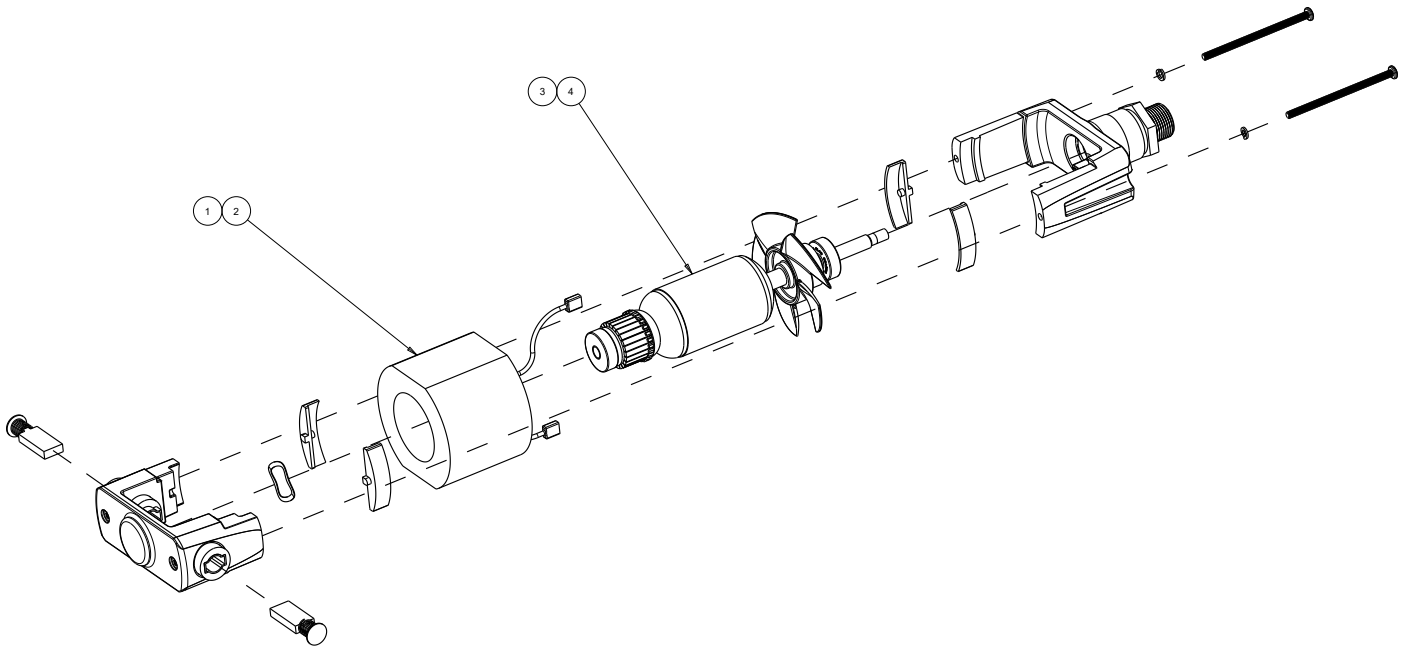
¹Available for Model Numbers W995G1Q and W995G1T

²Available for Model Numbers W995G2Q and W995G2T

³Available for Model Numbers W995G1Q and W995G2Q

⁴Available for Model Numbers W995G1T and W995G2T

Figure 12: Repair parts for 995



Item	Kit Number	Description	Parts Included (Parts Quantity)
1	W423603	Field; 15 Amp; 115 Volt ¹	(1)
2	W423605	Field; 7.5 Amp; 230 Volt ²	(1)
3	W423650	115 Volt armature kit ¹	Assembly, armature, 115 Volt, with bearings, fan and magnet; 115V brush, cap and o-ring kit (not shown)
4	W423651	230 Volt armature kit ²	Assembly, armature, 230 Volt, with bearings, fan and magnet; 230V brush, cap and o-ring kit (not shown)

¹Available for Model Numbers W995G1Q, W995G1T, WSS2G1Q and WSS2G1T

²Available for Model Numbers W995G2Q, W995G2T, WSS2G2Q and WSS2G2T

Figure 14: Motor kits